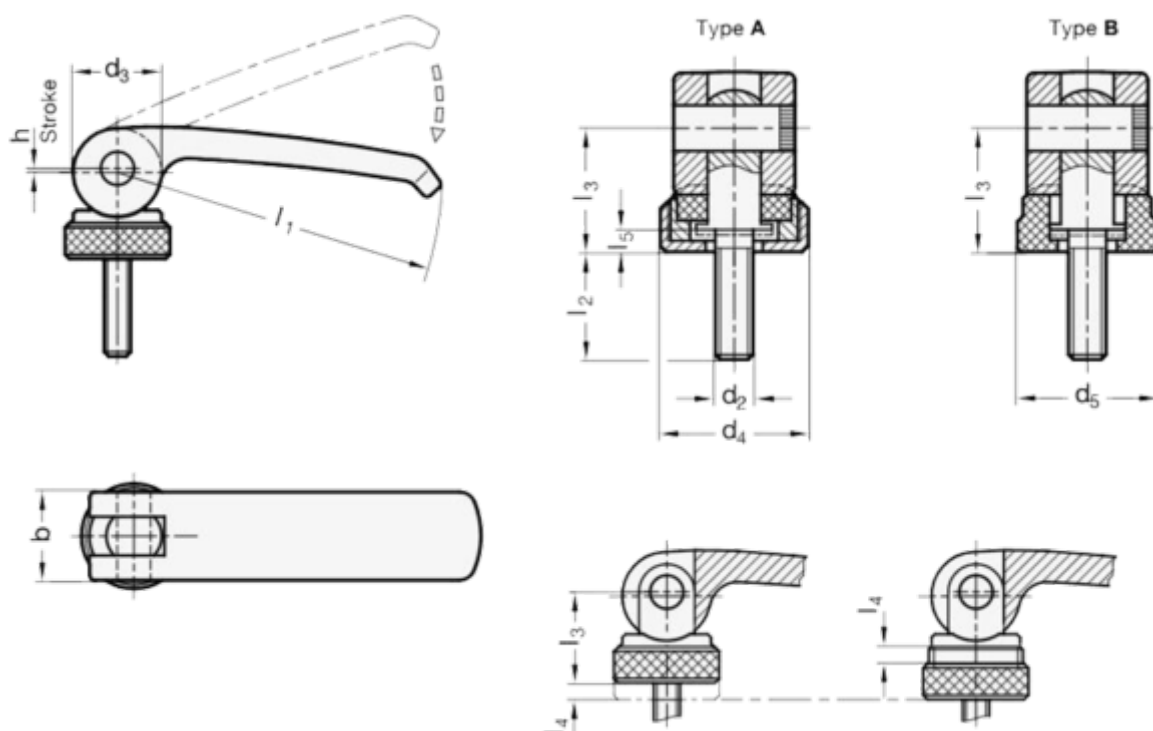


Article number: 20927101M1030AS

Description: E+G Clamping lever GN 927-101-M10-30-A-S
in silver, male thread

Measures



$b = 25$
 $d2 = M10$
 $d4 = 30$
 $d5 =$
 $l1 = 101$
 $l2 = 30$